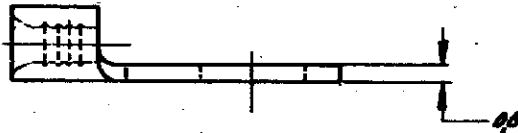
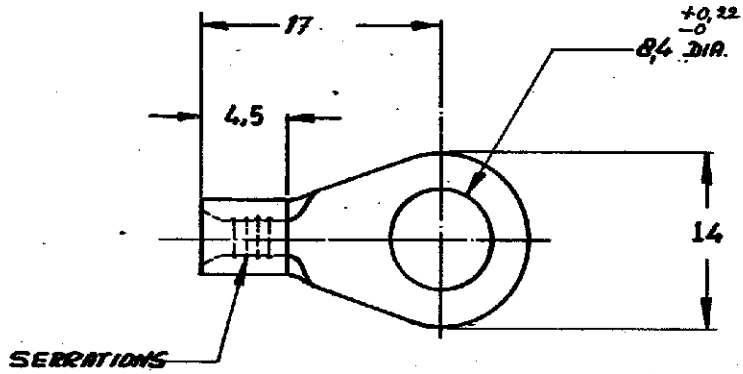


DRAWING MADE IN AMERICAN PROJECTION

NUMBER
C-165300-E



DIMENSIONS IN MM. DO NOT SCALE PRINT

CUSTOMER COPY FOR REFERENCE ONLY

©1967 BY AMP-HOLLAND N.V. ALL RIGHTS RESERVED A-MP PRODUCTS COVERED BY PATENTS AND/OR PATENTS PENDING.



WIRE RANGE 15-25 mm²	INSUL. RANGE —	TYPE - DIN - SOLID STRAND
SCALE —	LOC H	SIZE A
NO C-165300-E	REV C	

ORDER NO. 165300	MATERIAL COPPER	PLATING IN PLATED
DR R. BONDY.	DATE 3/4-67	DATE 2/16/67
CHE	DATE	DATE

NAME **RINGTONGUE stud. M8**